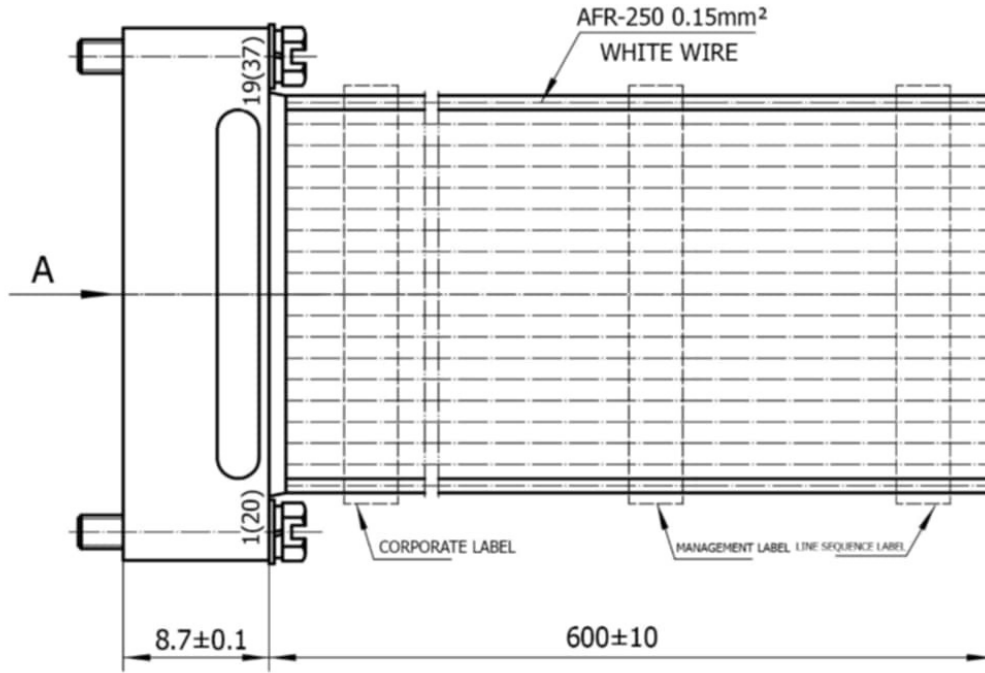
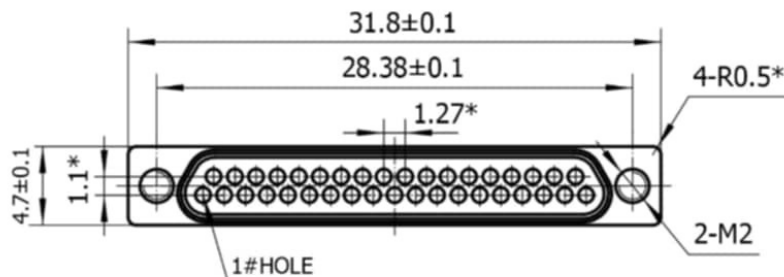


PRODUCT MODEL	BB-RCTL1-37-0.4
PRODUCT NAME	37 PIN RECTANGULAR CONNECTOR, 400mm (MIL-DTL-83513) PIGTAIL CABLE
EXECUTIVE STANDARD	Q/EL 009A-2012 ENTERPRISE STANDARD AND GJB 2446A-2011 GENERIC SPECIFICATION QUALITY
MILITARY GRADE LEVEL	MIL-DTL-83513
INSULATION RESISTORS	$\geq 5000M\Omega$
DIELECTRIC WITHSTAND	800V
WORKING TEMPERATURE	-55°C~+125°C
INNER CONDUCTOR	COPPER ALLOY GOLD PLATING
OUTER CONDUCTOR	COPPER ALLOY NICKEL PLATING
INSULATION MEDIUM	PPS
STORAGE TEMPERATURE	-55°C~+125°C
CONNECTING WIRES	AFR-250 0.15mm ² WHITE WIRE



A TURN CLOCKWISE 90°

NOTE:* DIMENSION ARE FOR REFERENCE ONLY AND DESIGN GUARANTEE



UNSPECIFIED TOLERANCE SIZE RANGE	
RANGE SIZE	STATE TOLERANCE RANGE
X.	X.±0.15
.X	.X±0.1
.XX	.XX±0.05
X°.	X°±1°
.X°	.X°±0.5°
.XX°	.XX°±0.05°